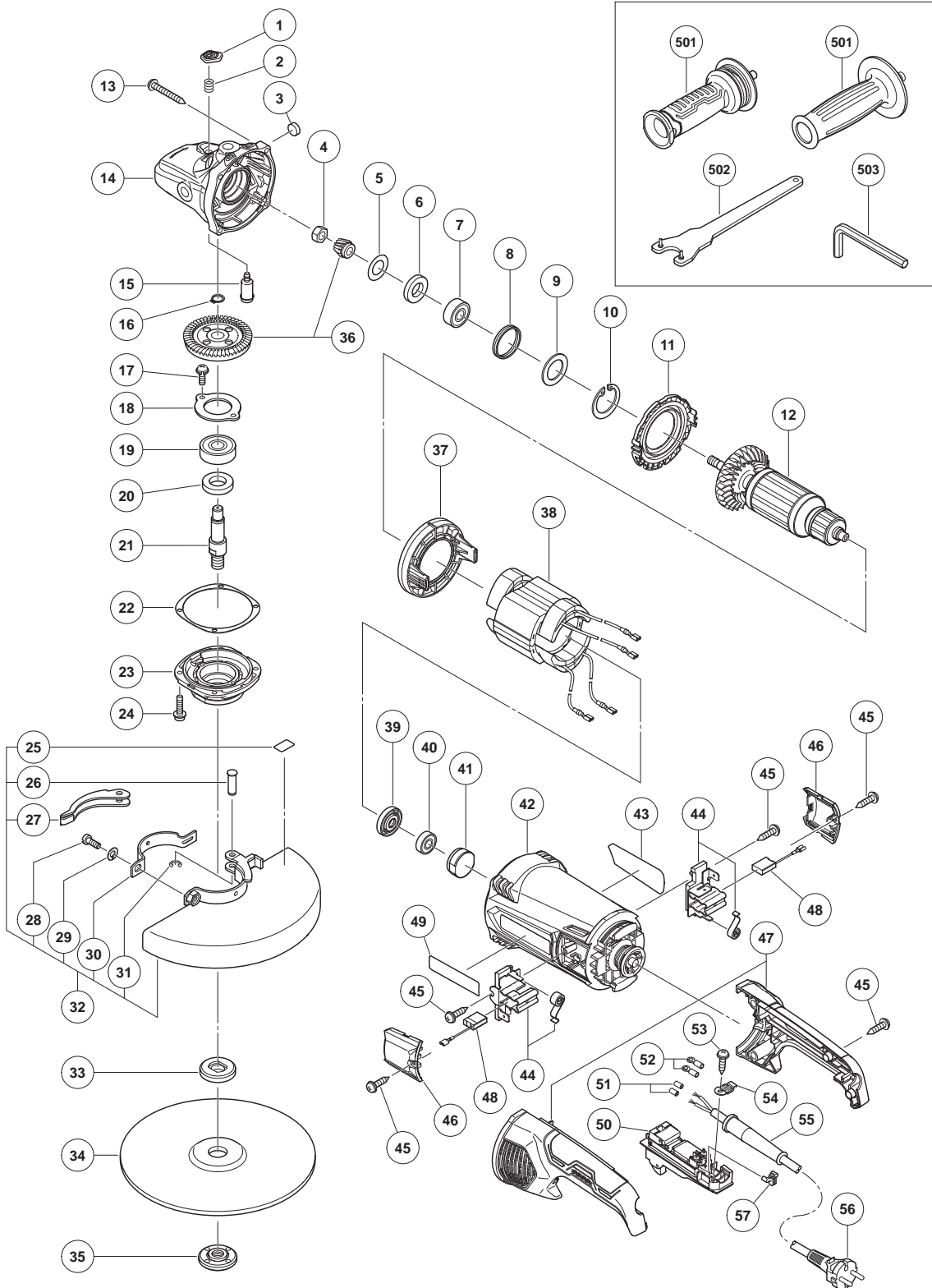


ELECTRIC TOOL PARTS LIST

DISC GRINDER Model G 23SC4

2018-12-13
(E1)



PARTS

G 23SC4

ITEM NO.	CODE NO.	DESCRIPTION	NO. USED	REMARKS
1	337641	PUSHING BUTTON	1	
2	320219	SPRING	1	
3	937033	FELT WASHER	1	
4	320226	SPECIAL NUT M10	1	
5	320221	SEAL WASHER	1	
6	320222	FELT PACKING	1	
7	6301DD	BALL BEARING 6301DDCMPS2L	1	
8	330031	RUBBER RING	1	
9	337642	WASHER	1	
10	948391	RETAINING RING FOR D40 HOLE	1	
11	337640	FAN GUIDE (B)	1	
*	12	361093C	ARMATURE 110V	1
*	12	361093U	ARMATURE ASS'Y 120V	1 INCLUD.39,40
*	12	361093E	ARMATURE 220V-230V	1
*	12	361093F	ARMATURE 240V	1
13	323209	TAPPING SCREW (W/FLANGE) D5 X 35 (BLACK)	4	
14	374598	GEAR COVER (A) ASS'Y	1	INCLUD.1-3,5-10,15
15	306890	LOCK PIN	1	
16	939542	RETAINING RING FOR D12 SHAFT (10 PCS.)	1	
17	992038	SEAL LOCK SCREW (W/SP. WASHER) M5 X 10	2	
18	320229	BEARING COVER (B)	1	
19	6302VV	BALL BEARING 6302VVCMP2L	1	
20	990852	FELT PACKING (B)	1	
*	21	320234	SPINDLE	1
*	21	321541	SPINDLE	1 FOR USA,CAN
22	320228	SEAL PLATE	1	
23	320227	PACKING GLAND	1	
24	994192	HEX. SOCKET HD. BOLT (W/FLANGE) M5 X 16	4	
25	311492	LABEL	1	
26	321546	SET PIN	1	
27	321545	LEVER	1	
*	28	949760	HEX. SOCKET HD. BOLT M8 X 25 (10 PCS.)	1
*	28	306887	BOLT M8 X 22	1 FOR USA,CAN
*	29	949457	SPRING WASHER M8 (10 PCS.)	1 FOR USA,CAN
30	321544	SET PIECE	1	
31	673489	RETAINING RING (E-TYPE) FOR D5 SHAFT	1	
*	32	337225	WHEEL GUARD ASS'Y	1 INCLUD.25-28,30,31
*	32	374999	WHEEL GUARD ASS'Y	1 INCLUD.25-31,FOR USA,CAN
*	33	937907Z	WHEEL WASHER (C)	1
*	33	334456	WHEEL WASHER (C)	1 FOR USA,CAN
*	34	316825	D. C. WHEELS 230MM A24R (25 PCS.)	1 EXCEPT FOR EUROPE,GBR,USA,CAN
*	35	373779	WHEEL NUT M14 X 2	1
*	35	937923P	WHEEL NUT 5/8"-11UNC	1 FOR USA,CAN
36	330688	GEAR AND PINION SET	1	
37	373752	FAN GUIDE (C)	1	
*	38	341007C	STATOR 110V	1
*	38	341007D	STATOR 120V	1
*	38	341007E	STATOR 220V-230V	1
*	38	341007F	STATOR 240V	1
39	330029	DUST SEAL	1	

